

GV-UBL3411 3MP H.264 3x Zoom WDR Pro IR Ultra Bullet IP Camera



- 3" megapixel progressive scan CMOS
- Dual streams from H.264 and MJPEG
- Up to 20 fps at 2048 x 1536
- Vandal resistance (IK10 for metal casing)
- Ingress protection (IP67)
- Motorized varifocal lens for remote focus/zoom adjustment
- Removable IR-cut filter for Day/Night function
- Intelligent IR
- Megapixel lens
- One alarm input and sensor output
- Built-in micro SD card slot (SD/SDHC) for local storage
- Recording assigned by GV-Edge Recording Manager ([Windows](#), [Mac](#) version)
- DC 5V / PoE (IEEE 802.3af)
- Wide Dynamic Range Pro (WDR Pro)
- 2D noise reduction
- Defog
- Motion detection
- Tampering alarm
- Visual automation
- Text overlay
- Privacy mask
- IP address filtering
- Supports iPhone, iPad, Android & 3GPP
- 31 languages on Web interface
- ONVIF (Profile S) conformant
- More storage option – [NAS](#)

* No memory card slot & local storage function for Argentina.

Introduction

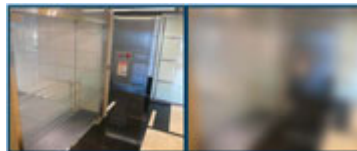
The Ultra Bullet Camera is a lightweight camera designed for outdoor environments. It adheres to the IP67 standard and has full protection against dust and jets of water. Equipped with WDR Pro, the camera can process scenes with contrasting intensity of lights and produce clear image. With its motorized varifocal lens, the user can zoom and focus the camera from the Web interface.

Active Tampering Alarm

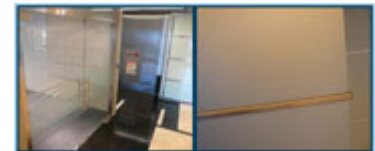
Tampered



Focus Change

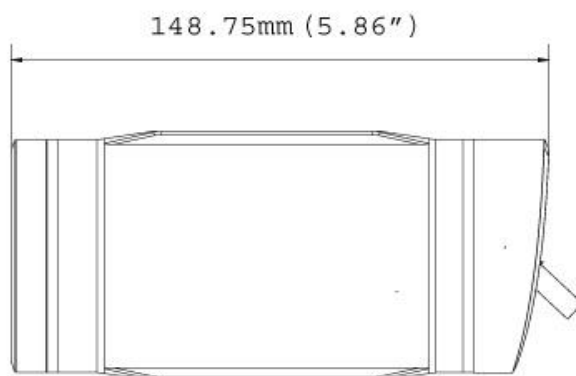
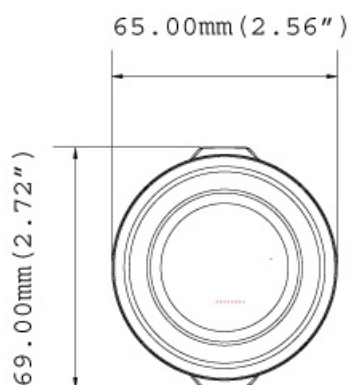


Camera Shift



Overview

• **Dimensions**

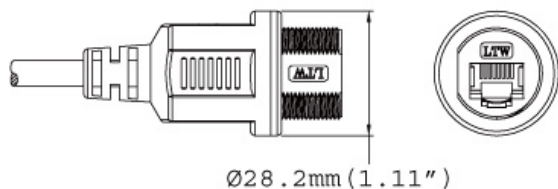


• **Panel**

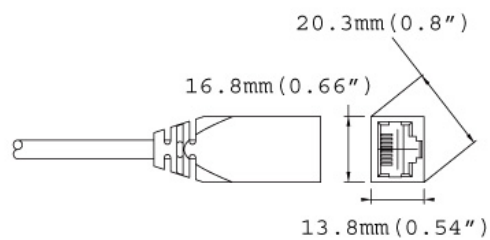


• **LAN Connector**

Option 1 (Waterproof)



Option 2 (Smaller and non-waterproof)



Specifications

| Camera | | |
|----------------------|-------------|---|
| Image Sensor | | 1/3.2" progressive scan CMOS |
| Picture Elements | | 2048 (H) x 1536 (V) |
| Minimum Illumination | Color | 0.08 Lux |
| | B/W | 0.05 Lux |
| | IR ON | 0 Lux |
| Shutter Speed | | Automatic, Manual (1/5 ~ 1/8000 sec) |
| White Balance | | Automatic, Manual (2800K ~ 8500K) |
| Gain Control | | Automatic |
| S/N Ratio | | 47 dB |
| BLC | | Yes |
| WDR Pro | | Yes (with WDR sensor) |
| Dynamic Range | | Up to 100 dB |
| Lens | | |
| Megapixel | | Yes |
| Focal Length | | 3 ~ 9 mm |
| Day/Night | | Yes (with removable IR-cut filter) |
| Lens Type | | Motorized varifocal lens |
| Maximum Aperture | | F/1.2 |
| Mount | | Ø 14 mm |
| Image Format | | 1/2.7" |
| Horizontal FOV | | 86° ~ 31° |
| Operation | Focus | Auto Focus |
| | Zoom | 3x Optical Zoom |
| | Iris | DC Drive |
| IR LED Quantity | | 4 IR LEDs |
| Max. IR Distance | | 10 m (32.81 ft) |
| Operation | | |
| Video Compression | | H.264, MJPEG |
| Video Stream | | Dual streams from H.264 and MJPEG |
| Frame Rate | | 20 fps at 2048 x 1536 (60/50 Hz) *The frame rate and the performance may vary depending on the number of connections and data bitrates (different scenes). |
| Image Setting | | Brightness, Contrast, Sharpness, Gamma, White Balance, Flicker-less, Image Orientation, Backlight Compensation, Zoom, Focus Change, Shutter Speed, D/N Sensitivity, WDR, Defog, Denoise, Metering |
| Audio Support | | No |
| Sensor Input | | 1 Input (Dry Contact) |
| Alarm Output | | 1 Output (200mA 5V DC) |
| Video Resolution | | |
| Main Stream | 4 : 3 | 2048 x 1536 (Default), 1600 x 1200, 1280 x 960, 640 x 480, 320 x 240 |
| | 16 : 9 | 1920 x 1080, 1280 x 720, 640 x 360, 448 x 252 |
| | 5 : 4 | 1280 x 1024, 640 x 512, 320 x 256 |
| Sub Stream | 4 : 3 | 640 x 480, 320 x 240 (Default) |
| | 16 : 9 | 640 x 360, 448 x 252 |
| | 5 : 4 | 640 x 512, 320 x 256 |
| Network | | |
| Interface | | 10/100 Ethernet |
| Protocol | | HTTP, HTTPS, TCP, UDP, SMTP, FTP, DHCP, NTP, UPnP, DynDNS, 3GPP/ISMA, RTSP, SNMP, QoS (DSCP), ONVIF (Profile S) |
| Mechanical | | |
| Temperature Detector | | Yes |
| Connectors | Power | 2-pin terminal block, PoE |
| | Ethernet | Ethernet (10/100 Base-T), RJ-45 cable Two types of models for selection: Waterproof or Non-Waterproof with smaller size |
| | Digital I/O | I/O Wire |

| | | |
|----------------------------|---------------|--|
| | Local Storage | Micro SD card slot (SD/SDHC, SD version 2.0 only, Class 10) * SDXC and UHS-I card types are not supported. |
| General | | |
| Environment Temperature | Start-up | -10°C ~ 45°C (14°F ~ 113°F) |
| | Operation | |
| Humidity | | 10% to 90% (no condensation) |
| Power Source | | 5V DC / PoE (IEEE 802.3af) |
| Max. Power Consumption | | 6.94 W |
| Dimensions | | 148.75 x 65 x 69 mm (5.86" x 2.56" x 2.72") |
| Weight | | 850 g (1.9 lb) |
| Ingress Protection | | IP67 |
| Vandal Resistance | | IK10 for metal casing |
| Regulatory | | CE, FCC, RCM, RoHS compliant |
| Power over Ethernet | | |
| PoE Standard | | PoE (IEEE 802.3af Power over Ethernet / PD) |
| PoE Power Supply Type | | End-Span |
| PoE Power Output | | Per Port 48V DC, 350mA. Max. 15.4 watts |
| Web Interface | | |
| Installation Management | | Web-based configuration |
| Maintenance | | Firmware upgrade through Web Browser or Utility |
| Access from Web Browser | | Camera Live View, Video Recording, Change Video Quality, Bandwidth Control, Image Snapshot, Digital I/O Control, Picture in Picture, Picture and Picture, Privacy Mask, Visual Automation, Tampering Alarm, Text Overlay, Digital PTZ |
| Language | | Arabic / Bulgarian / Czech / Danish / Dutch / English / Finnish / French / German / Greek / Hebrew / Hungarian / Indonesian / Italian / Japanese / Lithuanian / Norwegian / Persian / Polish / Portuguese / Romanian / Russian / Serbian / Simplified Chinese / Slovakian / Slovenian / Spanish / Swedish / Thai / Traditional Chinese / Turkish |
| Application | | |
| Network Storage | | GV-DVR/NVR, GV-Backup Center, GV-Recording Server, GV-VMS |
| Smart Device Access | | GV-Eye for iOS and Android |
| Live Viewing | | IE, mobile phone |
| CMS Server support | | GV-Control Center, GV-Center V2, GV-Vital Sign Monitor |

Note:



- The signal range and data throughput may vary depending on the network conditions and environmental factors.
- Mind the following when using an inserted memory card for recording:
 - Recorded data on the memory card can be damaged or lost if the data are accessed while the camera is under physical shock, power interruption, memory card detachment or when the memory card reaches the end of its lifespan. No guarantee is provided for such causes.
 - The stored data can be lost if the memory card is not accessed for a long period of time. Back up your data periodically if you seldom access the memory card.
 - Memory cards are expendable and their durability varies according to the conditions of the installed site and how they are used. Back up your data regularly and replace the memory card annually.
 - To avoid power outage, it is highly suggested to apply a battery backup (UPS).
 - For better performance, it is highly suggested to use Micro SD card of MLC NAND flash, Class 10.
 - Replace the memory card when its read/write speed is lower than 6 MB/s or when the memory card is frequently undetected by the camera.
- Specifications are subject to change without notice.

Packing List

- | | |
|--|--|
| 1. Ultra Bullet Camera (with Waterproof or Non-Waterproof LAN connector) | 8. Cable connector (for waterproof LAN connector only) |
| 2. Camera Stand | 9. Silica Gel Bag x 2 |
| 3. Black Rubber | 10. 2-Pin Terminal Block |
| 4. Self Tapping Screw x 3 | 11. Data cable |
| 5. Plastic Screw Anchor x 3 | 12. Power Adapter |
| 6. Torx Wrench | 13. Download Guide |
| 7. Sun-Shield Cover Kit (Sun-Shield Cover, Philips Head Screws x 2, Plastic Screw Spacers x 2, Hexagon Screws x 2) | 14. Warranty Card |

Note: The power adapter can be excluded upon request.

Accessories

| Model No. | Name | | Details |
|---------------|-------------|---|--|
| GV-PA191 | PoE Adapter |  | The GV-PA191 is a Power over Ethernet (PoE) adapter designed to provide power to the IP device through a single Ethernet cable. |
| GV-Relay V2 | GV-Relay V2 |  | The GV-Relay V2 is designed to expand the voltage load of GV IP devices. It provides 4 relay outputs, and each can be set as normally open (NO) or normally closed (NC) independently as per your requirement. |
| GV-PoE Switch | | | The GV-PoE Switch is designed to provide power along with network connection for IP devices. The GV-PoE Switch is available in various models with different numbers and types of ports. |
| Power Adapter | | | Contact our sales representatives for the countries and areas supported. |