

GV-VD4711 4MP H.265 4.3x Zoom Super Low Lux WDR Pro IR Vandal Proof IP

Dome



- 1/3" progressive scan super low lux CMOS
- Min. illumination at 0.02 lux
- Dual streams from H.265, H.264 and MJPEG
- Up to 20 fps at 2592 x 1520, 25 fps at 2560 x 1440, 30 fps at 2048 x 1520
- Vandal resistance (IK10+)
- Ingress protection (IP67)
- Motorized varifocal lens for remote focus/zoom adjustment
- P-Iris for auto Iris adjustment
- 3-axis mechanism (pan / tilt / roll)
- Removable IR-cut filter for Day/Night function
- High power IR LEDs
- Intelligent IR
- IR distance up to 30 m (98.4 ft)
- External microphone
- Two-way audio
- One sensor input and alarm output
- TV-out support
- Built-in micro SD card slot (SD/SDHC/SDXC/UHS-I) for local storage
- Recording assigned by GV-Edge Recording Manager (Windows & Mac version)
- DC12V / AC24V / PoE+ (IEEE 802.3at)
- Wide Dynamic Range Pro (WDR Pro)
- 3D noise reduction
- Smart streaming
- Defog
- Motion detection
- Tampering alarm
- Privacy mask
- Text overlay
- IP address filtering
- Supports iPhone, iPad, Android & 3GPP
- 31 languages on Web interface
- ONVIF (Profile S) conformant

* No Memory card slot & local storage function for Argentina.

* Smart streaming requires either GV-DVR / NVR V8.7.0 or GV-VMS V16.10.3.0

Active Tampering Alarm

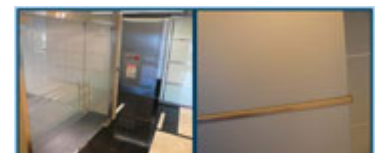
Tampered



Focus Change



Camera Shift



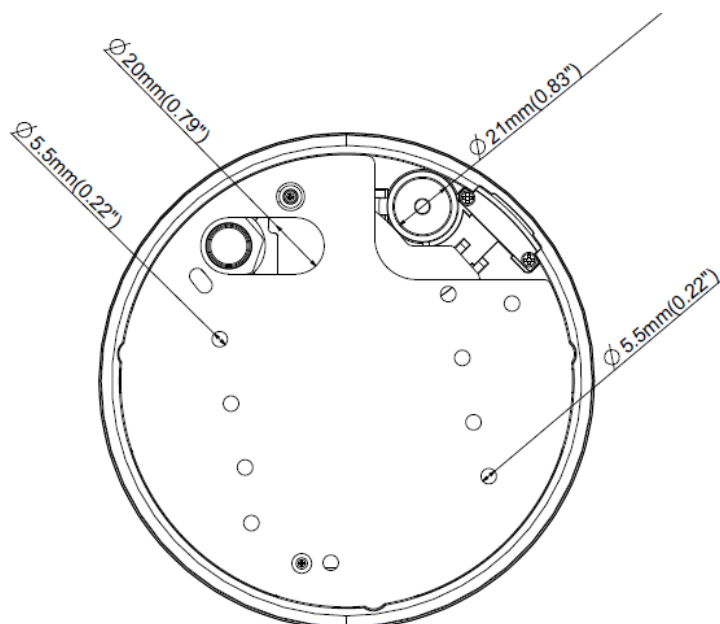
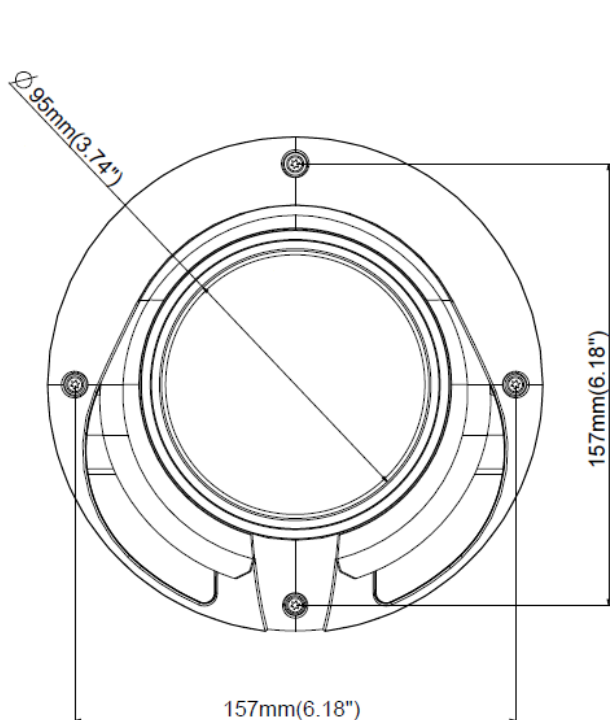
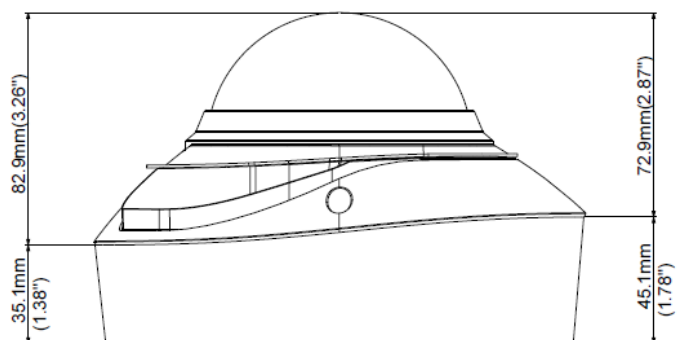
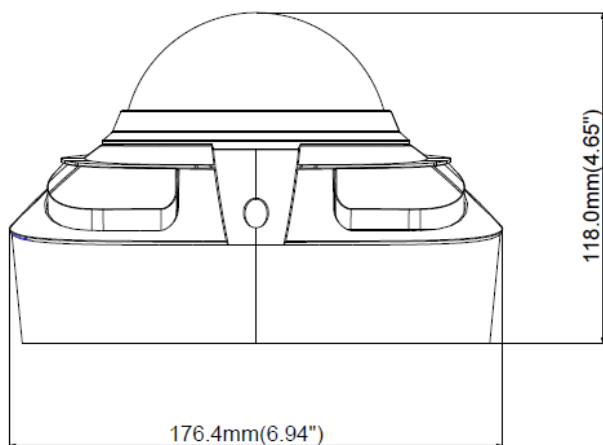
Introduction

GV-VD4711 is an outdoor camera designed with IK10+ vandal resistance and IP67 ingress protection. With its motorized varifocal lens, the user can zoom and focus the camera from the Web interface. The night vision is enhanced with its high-power LEDs with up to 30 m (98.4 ft) effective distance. The camera supports H.265 video codec to achieve better compression ratio while maintaining high quality pictures at reduced network bandwidths. GV-VD4711 is capable of not only providing a color live view in near darkness but also under contrasting light intensities using its super low lux CMOS image sensor and WDR Pro.

Overview



Dimensions



Specifications

Camera		
Image Sensor	1/3" progressive scan super low lux CMOS	
Picture Elements	2592 (H) x 1520 (V)	
Minimum Illumination	Color	0.03 Lux
	B/W	0.02 Lux
	IR ON	0 Lux
Shutter Speed	Automatic, Manual (1/5 ~ 1/8000 sec)	
White Balance	Automatic, Manual (2800K ~ 8500K)	
Gain Control	Automatic	
S/N Ratio	50 dB	
WDR	WDR Pro	
Dynamic Range	120 dB	
Lens		
Megapixel	4 MP	
Day / Night	Yes (with removable IR-cut filter)	
Lens Type	Motorized Varifocal lens	
Focal Length	2.8 ~ 12 mm	
Maximum Aperture	F/1.7	
Mount	Ø 14 mm	
Image Format	1/2.7"	
Horizontal FOV	95° ~ 36°	
Operation	Focus	Auto focus
	Zoom	4.3x optical zoom
	Iris	P-Iris
High Power IR LED Quantity	6 IR LEDs	
Max. IR Distance	30 m (98.4 ft)	
Operation		
Video Compression	H.265, H.264, MJPEG	
Video Stream	Stream 1	H.265 or H.264
	Stream 2	H.265, H.264, or MJPEG
Frame Rate	50Hz: 20 fps at 2592 x1520, 25 fps at 2560 x 1440, 25 fps at 2048 x 1520 60Hz: 20 fps at 2592 x1520, 24 fps at 2560 x 1440, 30 fps at 2048 x 1520 * The frame rate and performance may vary depending on the number of connections and data bitrates (different scenes).	
Image Setting	Brightness, Contrast, Sharpness, Gamma, White Balance, Flicker-less, Image Orientation, Backlight Compensation, D/N Sensitivity, Shutter Speed, WDR, Defog, Zoom, Focus Change, Denoise, Metering	
Audio Compression	G.711	
Audio Support	Two-way audio	
Sensor Input	1 Input (dry contact)	
Alarm Output	1 Output (200 mA 5V DC)	
Video Resolution		
Main Stream	4:3	2048 x 1520, 1600 x 1200, 1280 x 960, 640 x 480
	16:9	2592 x 1520, 2560 x 1440 (Default), 2304 x 1296, 1920 x 1080, 1280 x 720, 640 x 360
	5:4	1280 x 1024, 640 x 512
Sub Stream	4:3	1024 x 768, 640 x 480, 320 x 240
	16:9	1280 x 720, 640 x 360 (Default), 448 x 256
	5:4	1280 x 1024, 640 x 512, 320 x 256
Network		
Interface	10/100 Ethernet	
Ethernet Protocol	HTTP, HTTPS, TCP, UDP, SMTP, FTP, DHCP, NTP, UPnP, DynDNS, 3GPP/ISMA, RTSP, SNMP, QoS (DSCP), ONVIF (Profile S)	

Mechanical		
Temperature Detector		Yes
Camera Angle Adjustment	Pan	-90° ~ 90°
	Tilt	0° ~ 85°
	Rotate	0° ~ 350°
Connectors	Power	2-pin terminal block (DC 12V, 3.5A), PoE
	Ethernet	Ethernet (10/100 Base-T), RJ-45 cable
	Audio	1 In (3.5mm phone jack for microphone) 1 Out (3.5mm phone jack for speaker)
	Digital I/O	3-pin terminal block, pitch 2.5 mm (0.1")
	Local Storage	Micro SD card slot (SD/SDHC/SDXC/UHS-I, Class 10) *UHS-II card type is not supported.
	TV-Out	BNC connector (D1 resolution)
LED Indicator		2 LEDs: Power, Status
General		
Environment Temperature	Start-up	-20°C ~ 50°C (-4°F ~ 122°F)
	Operation	
Humidity		10% to 90% (no condensation)
Power Source		12V DC / 24V AC / PoE+ (IEEE 802.3at)
Max. Power Consumption		25.5 W
Dimensions	Camera Body	∅ 176.5 x 118 mm (∅ 6.9" x 4.6")
Weight		1.83 kg (4.03 lb)
Ingress Protection		IP67
Vandal Resistance		IK10+
Regulatory		CE, FCC, RCM, RoHS compliant
Power over Ethernet		
PoE Standard		PoE+ (IEEE 802.3at Power over Ethernet / PD)
PoE Power Supply Type		End-Span and Mid-Span
PoE Power Output		Per Port 48V DC, 600 mA, Max. 30 watts
Web Interface		
Installation Management		Web-based configuration
Maintenance		Firmware upgrade through Web Browser or Utility
Access from Web Browser		Camera live view, video recording, change video quality, bandwidth control, image snapshot, audio, Wide Angle Lens Dewarping, Picture in Picture, Picture and Picture, Privacy Mask, Visual automation, Text overlay
Language		Arabic / Bulgarian / Czech / Danish / Dutch / English / Finnish / French / German / Greek / Hebrew / Hungarian / Indonesian / Italian / Japanese / Lithuanian / Norwegian / Persian / Polish / Portuguese / Romanian / Russian / Serbian / Simplified Chinese / Slovakian / Slovenian / Spanish / Swedish / Thai / Traditional Chinese / Turkish
Applications		
Software Supported		GV-DVR / NVR (V8.7.1.0), GV-VMS (V15.11.1.0), GV-Edge Recording Manager (V1.2.0.0), GV-Center V2 (V15.10.0.0), GV-Recording Server (V1.3.0.0), GV-Redundant / Failover Server (V1.1.0.0)
Smart Device Access		GV-Eye for iOS and Android
Live Viewing		Browser (IE, Chrome, Firefox, Safari), Mobile app
CMS Server support		GV-Control Center, GV-Center V2, GV-Vital Sign Monitor

Note:

- It is required to apply patch files to all the supported software.
- Do not use clothes or any ordinary material to clean the camera cover since they may result in scratches.
- Mind the following when using a memory card for recording:
 - Recorded data on the memory card can be damaged or lost if the data are accessed while the camera is under physical shock, power interruption, memory card detachment or when the memory card reaches the end of its lifespan. No guarantee is provided for such causes.
 - The stored data can be lost if the memory card is not accessed for a long period of time. Back up your data periodically if you seldom access the memory card.

- Memory cards are expendable and their durability varies according to the conditions of the installed site and how they are used. Back up your data regularly and replace the memory card annually.
- To avoid power outage, it is highly suggested to apply a battery backup (UPS).
- For better performance, it is highly suggested to use Micro SD card of MLC NAND flash, Class 10.
- Replace the memory card when its read/write speed is lower than 6 MB/s or when the memory card is frequently undetected by the camera.

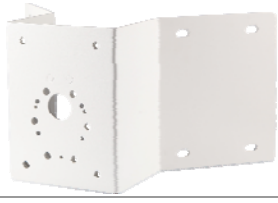
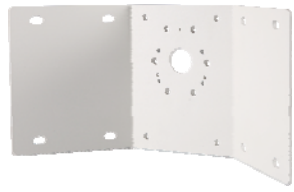





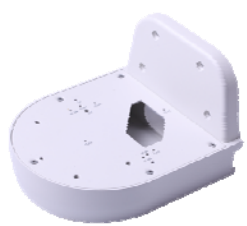
4. Specifications are subject to change without notice.





Packing List

- | | |
|-------------------------|----------------------------------|
| 1. Vandal Proof IP Dome | 11. Long Screw x 4 |
| 2. Torx Wrench | 12. Flat Screw |
| 3. 3-Pin Terminal Block | 13. Short Screw |
| 4. Safety Wire | 14. Silica Gel Bag |
| 5. Audio Wire x 2 | 15. Sticker (for Silica Gel Bag) |
| 6. TV Out Wire | 16. Ruler |
| 7. RJ-45 Connector x 2 | 17. Conduit Converter |
| 8. Back Plate 1 set | 18. PG21 Conduit Connector |
| 9. Installation Sticker | 19. Download Guide |
| 10. Screw Anchor x 4 | 20. Warranty Card |

Accessories

Model No.	Name		Details
GV-Mount100	Straight Tube and Junction Box Kit		Dimensions: 200 x 170 x 257.5 mm (7.9" x 6.7" x 10.1") Weight: 3.17 kg (6.99 lb)
GV-Mount101	Straight Tube Kit		Dimensions: 219 x 125 x 332 mm (8.6" x 4.9" x 13.1") Weight: 1.8 kg (3.97 lb)
GV-Mount200	Wall Pendant Tube		Dimensions: 225 x 140 x 250 mm (8.9" x 5.5" x 9.8") Weight: 900 g (1.98 lb)
GV-Mount203	Wall Pendant Tube and Junction Box Kit		Dimensions: 315 x 195.5 x 225 mm (12.4" x 7.7" x 8.9") Weight: 2.95 kg (6.5 lb)
GV-Mount206	Wall Mount Bracket Kit		Dimensions: 126.5 x 211.3 x \varnothing 176.85 mm (5" x 8.3" x \varnothing 6.96") Weight: 0.93 kg / 2.06 lb

Model No.	Name		Details
GV-Mount300	Convex Corner Adapter Kit		Dimensions: 238.6 x 409.5 mm (9.4" x 16.1") Weight: 4.27 kg (9.41 lb)
GV-Mount310	Concave Corner Adapter Kit		Dimensions: 123.3 x 393.1 mm (4.9" x 15.5") Weight: 2.96 kg (6.53 lb)
GV-Mount400	Pole Mount Bracket Kit (Ø 4" ~ 6")		Dimensions: Bracket: 241 x 161 mm (9.5" x 6.3") Weight: 1.70 kg (3.75 lb) Steel Strap Diameter: Ø 4" ~ 6"
GV-Mount410	Pole Mount Bracket Kit (Ø 6" ~ 7.5")		Dimensions: Bracket: 241 x 161 mm (9.5" x 6.3") Weight: 1.70 kg (3.75 lb) Steel Strap Diameter: Ø 6" ~ 7.5"
GV-Mount702	Extension Tube		Four options are available. Dimensions: Ø 5.4 x 10 or 20 or 30 or 50 cm (Ø 2.1" x 3.9" or 7.9" or 11.8" or 19.7") Weight: 180 g or 390 g or 550 g or 800 g (0.4 lb or 0.86 lb or 1.21lb or 1.76 lb)
GV-Mount900	Wall Mount Bracket		Dimensions: 154 x 108 x 50 mm (6.1" x 4.3" x 2") Weight: 240 g (0.53 lb)
GV-Mount903	GV-VD Series Dome Housing		Dimensions: Ø 186 x 97.5 mm (Ø 7.3" x 3.8") Weight: 600 g (1.32 lb)
GV-Mount909	Wall Mount Bracket		Dimensions: 170 x 150 x 110 mm (6.7" x 5.9" x 4.3") Weight: 610 g (1.34 lb)

Model No.	Name		Details
GV-Mount914	In-Ceiling Mount		Dimensions: \varnothing 222 x 86 mm (\varnothing 8.74" x 3.39") Weight: 705 g (1.55 lb)
Metal PG21	Conduit Connector		The metal PG21 conduit connector allows you to run the wires through a 3 / 4" conduit pipe.
GV-Relay V2	GV-Relay V2		The GV-Relay V2 is designed to expand the voltage load of GV IP devices. It provides 4 relay outputs, and each can be set as normally open (NO) or normally closed (NC) independently as per your requirement.
	Weatherproof Shield		The weatherproof shield protects the camera from rain and snow.
GV-PoE Switch			The GV-PoE Switch is designed to provide power along with network connection for IP devices. The GV-PoE Switch is available in various models with different numbers and types of ports.
Power Adapter			Contact our sales representatives for the countries and areas supported.