

GV-CA120 1.3MP H.264 WDR Advanced Cube IP Camera



- 1/2.5" progressive scan CMOS
- Dual streams from H.264 and MJPEG
- Up to 30 fps at 1280 x 1024
- Passive infrared (PIR) sensor for detecting movement and activating the alarm LED
- Two-way audio
- Built-in micro SD card slot (SD/SDHC) for local storage
- Recording assigned by GV-Edge Recording Manager ([Windows](#), [Mac](#) version)
- Wide Dynamic Range (WDR)
- 2D noise reduction
- Defog
- Motion detection
- Tampering alarm
- Text overlay
- Privacy mask
- IP address filtering
- DC 5V / PoE (IEEE 802.3af)
- Megapixel lens
- Smart device access
- 31 languages on Web interface
- ONVIF (Profile S) conformant
- More storage option - NAS

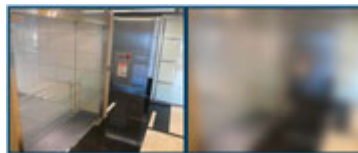
* No Memory Card Slot & local storage function for Argentina.

Active Tampering Alarm

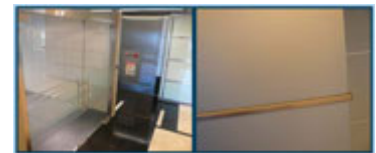
Tampered



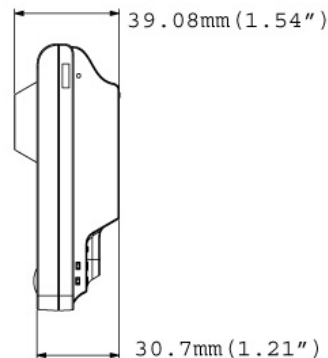
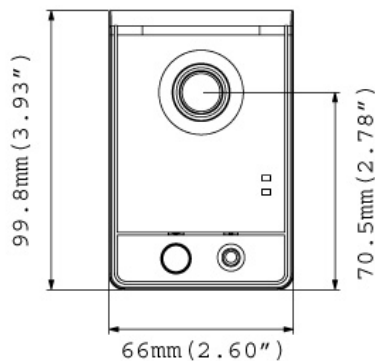
Focus Change



Camera Shift



Dimensions



Specifications

Camera		
Image Sensor	1/2.5" progressive scan CMOS	
Picture Elements	1280 (H) x 1024 (V)	
Minimum Illumination	Color	0.15 Lux
	B/W	0.10 Lux
	LED ON	0 Lux
Shutter Speed	Automatic, Manual (1/5 ~ 1/8000 sec)	
White Balance	Automatic, Manual (2800 ~ 8500K)	
Gain Control	Automatic	
S/N Ratio	45 dB	
Lens		
Megapixel	Yes	
Day/Night	Yes (electronic)	
Lens Type	Fixed	
Focal Length	3.35 mm	
Maximum Aperture	F/2.4	
Mount	M12 mm	
Image Format	1/3"	
Horizontal FOV	67°	
Operation	Focus	Fixed
	Zoom	
	Iris	
Operation		
Video Compression	H.264, MJPEG	
Video Streaming	Dual streams from H.264 and MJPEG	
Frame Rate	30 fps at 1280 x 1024 (60/50 Hz) * The frame rate and performance may vary depending on the number of connections and data bitrates (different scenes).	
Image Setting	Brightness, Contrast, Saturation, Sharpness, Gamma, White Balance, Flicker-less, Image Orientation, Shutter Speed, Backlight Compensation, WDR, Defog, Denoise, Metering	
Audio Compression	G.711, AAC (optional)	
Audio Support	Two-way audio	
Video Resolution		
Main Stream	4:3	1280 x 960, 640 x 480, 320 x 240
	16:9	1280 x 720, 640 x 360, 448 x 252
	5:4	1280 x 1024 (Default), 640 x 512, 320 x 256
Sub Stream	4:3	640 x 480, 320 x 240
	16:9	640 x 360, 448 x 252
	5:4	640 x 512, 320 x 256 (Default)
Network		
Interface	10/100 Ethernet	
Ethernet Protocol	HTTP, HTTPS, TCP, UDP, SMTP, FTP, DHCP, NTP, UPnP, DynDNS, 3GPP/ISMA, RTSP, SNMP, QoS (DSCP), ONVIF (Profile S)	
Mechanical		
Temperature Detector	No	
Connectors	Power	DC Jack (DC 5V, 3A) / PoE
	Ethernet	RJ-45
	Audio	Built-in speaker & microphone
	Local Storage	Micro SD card slot (SD/SDHC, SD version 2.0 only, Class 10) *SDXC and UHS-I card types are not supported.
LED Indicator	4 LEDs: Status x 3, LAN / WiFi	
PIR Sensor	Built-in	
White Illumination LED	Yes	
Max. PIR Sensor / White Illumination LED Distance	5 m (16.4 ft)	
General		
Environment Temperature	0°C ~ 50°C (32°F ~ 122°F)	
Humidity	10% to 90% (no condensation)	

Power Source	5V DC, PoE (IEEE 802.3af)
Max. Power Consumption	7 W
General	
Dimensions	65.8 x 99.8 x 39 mm (2.59" x 3.92" x 1.54")
Weight	100 g (0.2 lb)
Regulatory	CE, FCC, RCM, RoHS compliant
Power over Ethernet	
PoE Standard	PoE (IEEE 802.3af Power over Ethernet / PD)
PoE Power Supply Type	End-Span
PoE Power Output	Per Port 48V DC, 350 mA, Max. 15.4 watts
Web Interface	
Installation Management	Web-based configuration
Maintenance	Firmware upgrade through Web Browser or Utility
Access from Web Browser	Camera live View, Video Recording, Change Video Quality, Bandwidth Control, Image Snapshot, Audio, Picture in Picture, Picture and Picture, Privacy Mask, Tampering Alarm, Text Overlay, Digital PTZ
Language	Arabic / Bulgarian / Czech / Danish / Dutch / English / Finnish / French / German / Greek / Hebrew / Hungarian / Indonesian / Italian / Japanese / Lithuanian / Norwegian / Persian / Polish / Portuguese / Romanian / Russian / Serbian / Simplified Chinese / Slovakian / Slovenian / Spanish / Swedish / Thai / Traditional Chinese / Turkish
Applications	
Network Storage	GV- DVR / NVR / VMS, GV-Backup Center, GV-Recording Server
Smart Device Access	GV-Eye for iOS and Android
Live Viewing	IE, mobile phone
CMS Server support	GV-Control Center, GV-Center V2, GV-Vital Sign Monitor

Note:


- Mind the following when using an inserted memory card for recording:
 - Recorded data on the memory card can be damaged or lost if the data are accessed while the camera is under physical shock, power interruption, memory card detachment or when the memory card reaches the end of its lifespan. No guarantee is provided for such causes.
 - The stored data can be lost if the memory card is not accessed for a long period of time. Back up your data periodically if you seldom access the memory card.
 - Memory cards are expendable and their durability varies according to the conditions of the installed site and how they are used. Back up your data regularly and replace the memory card annually.
 - To avoid power outage, it is highly suggested to apply a battery backup (UPS).
 - For better performance, it is highly suggested to use Micro SD card of MLC NAND flash, Class 10.
 - Replace the memory card when its read/write speed is lower than 6 MB/s or when the memory card is frequently undetected by the camera.
- Specifications are subject to change without notice.

Packing List

- | | |
|-------------------------|-------------------|
| 1. Advanced Cube Camera | 5. Power Adapter |
| 2. Supporting Rack | 6. Download Guide |
| 3. Screw x 3 | 7. Warranty Card |
| 4. Screw Anchor x 3 | |

Note: The power adapter can be excluded upon request.

Accessories

Model No.	Name	Details
GV-PA191	PoE Adapter	 <p>Dimensions (H x W x D): 43 x 69 x 40 mm (1.69" x 2.72" x 1.57") Weight: 130 g (0.29 lb)</p>
GV-PoE Switch	<p>The GV-PoE Switch is designed to provide power along with network connection for IP devices. The GV-PoE Switch is available in various models with different numbers and types of ports.</p>	
Power Adapter	<p>Contact our sales representatives for the countries and areas supported.</p>	